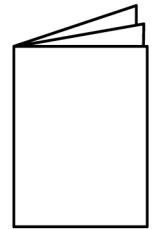
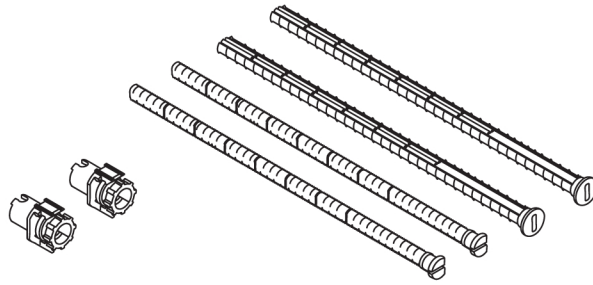
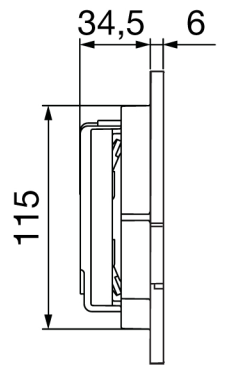
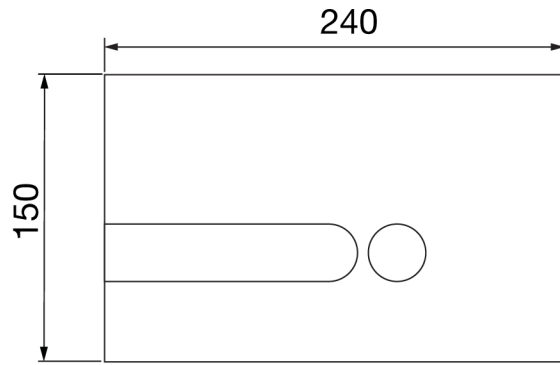
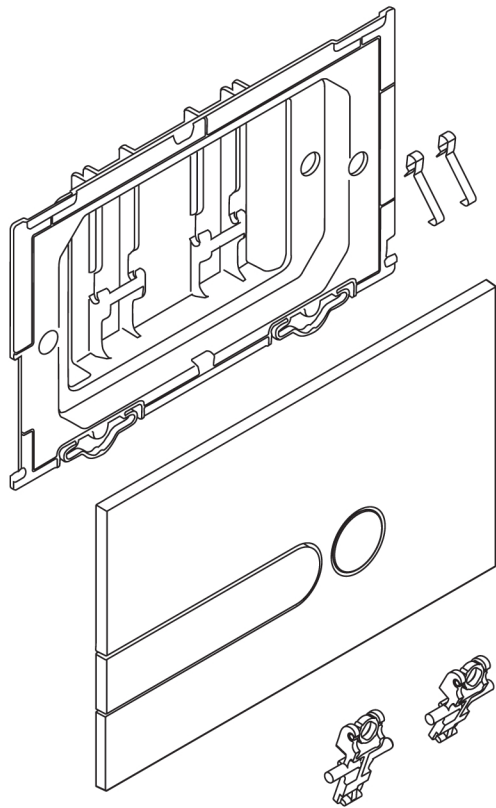


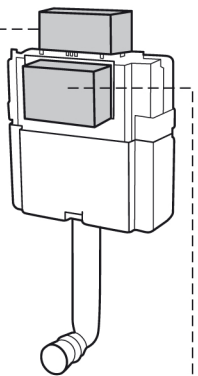
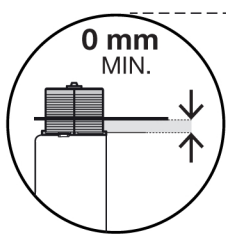
SLICK

MECHANIC

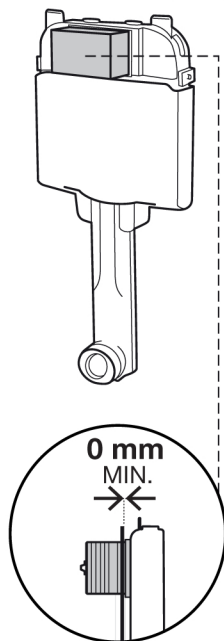


TOP

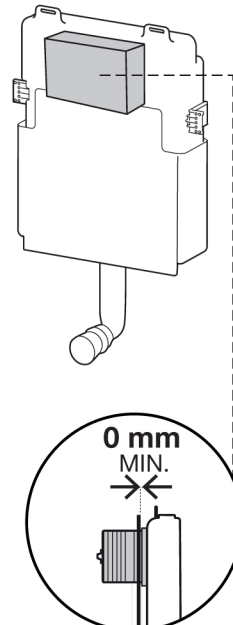
A



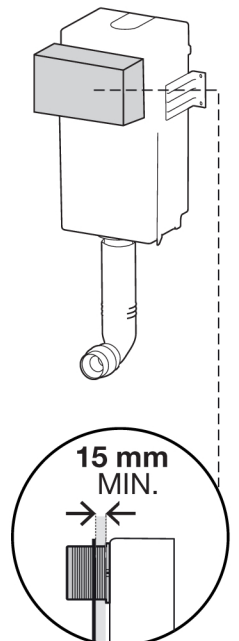
A



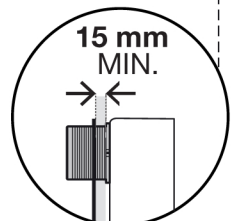
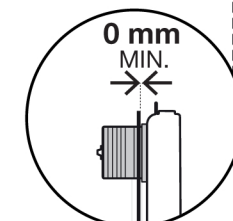
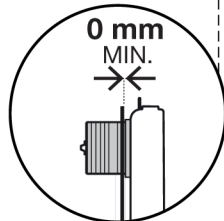
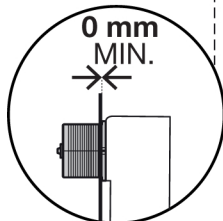
A

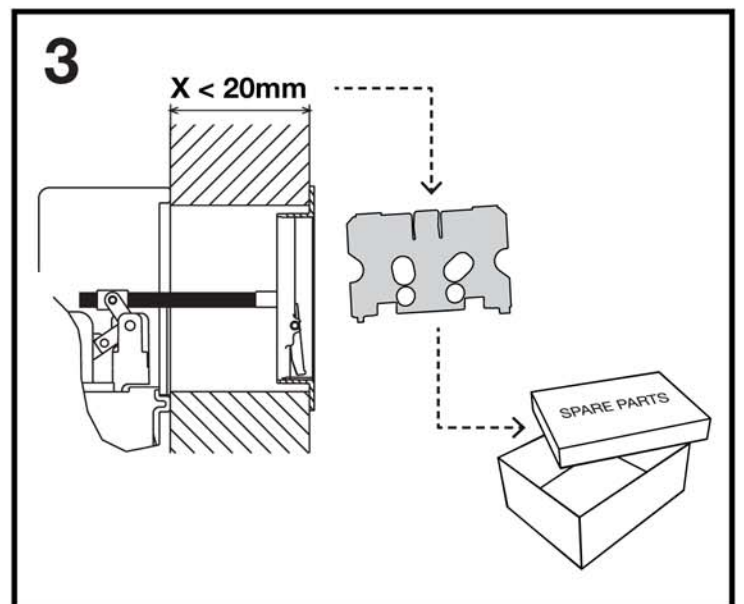
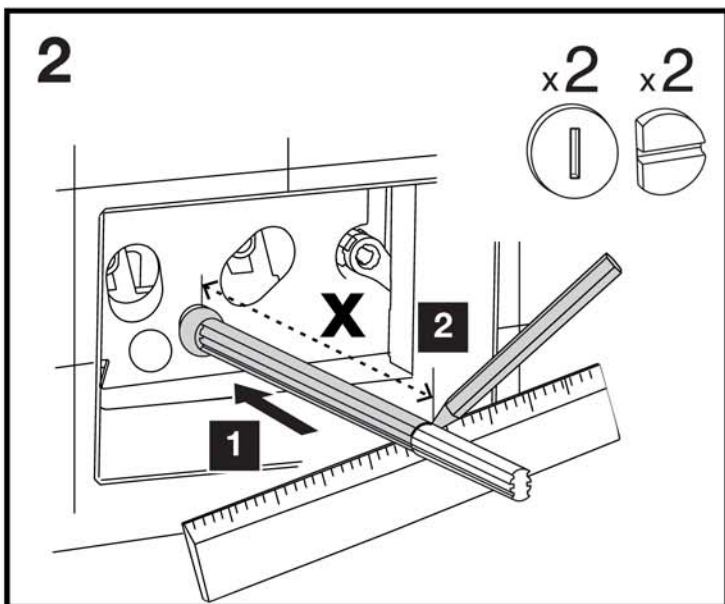
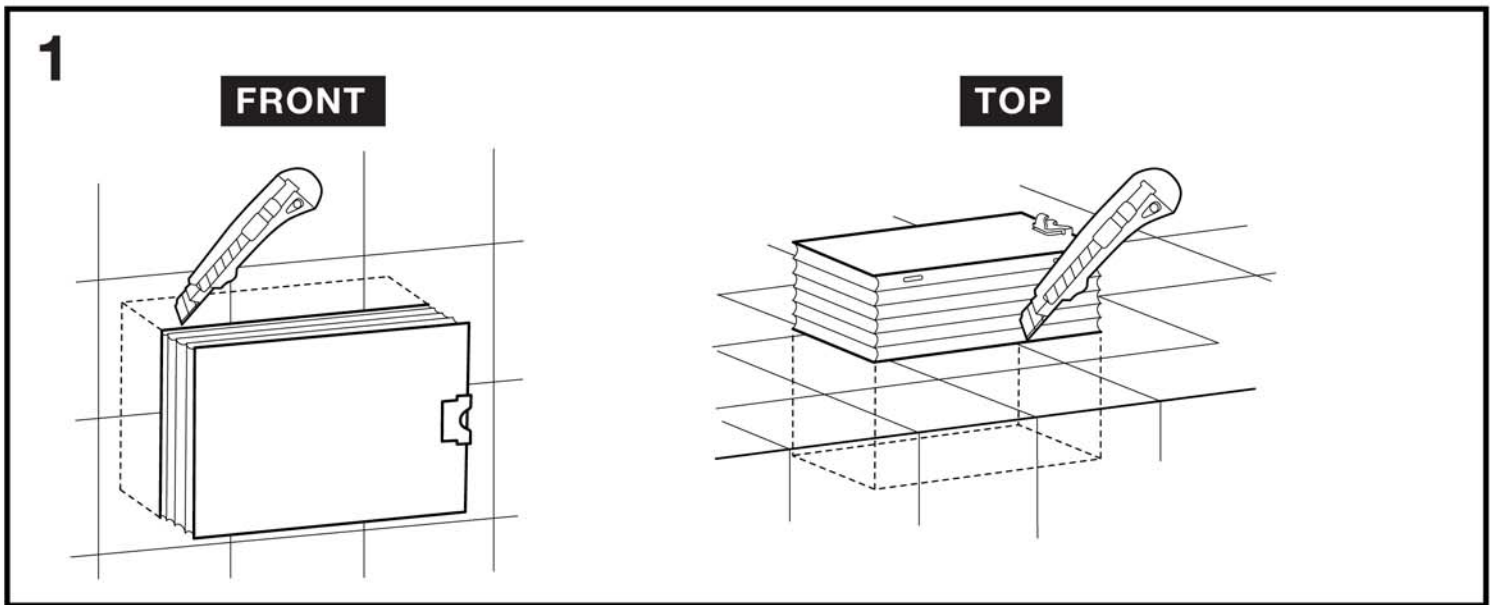
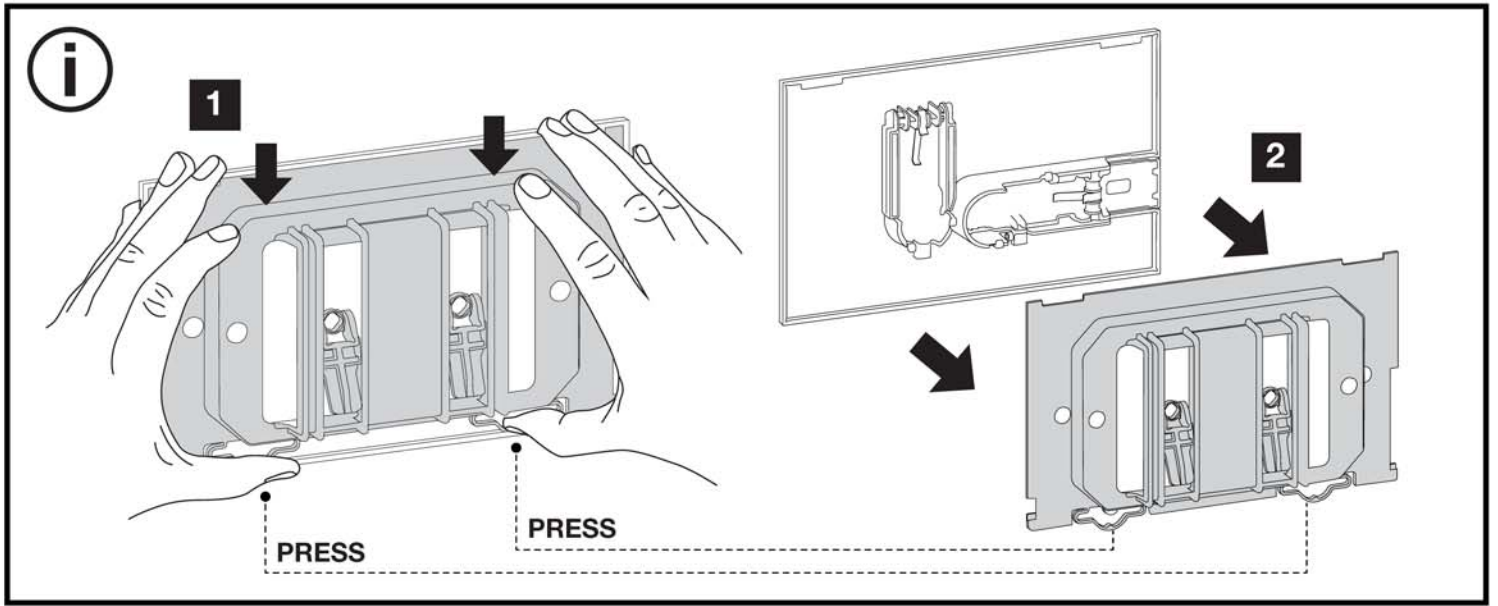


B



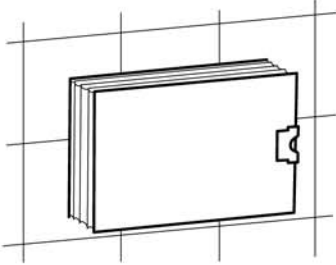
FRONT





4

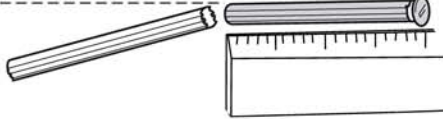
FRONT



x2



← X + 45mm →



x2

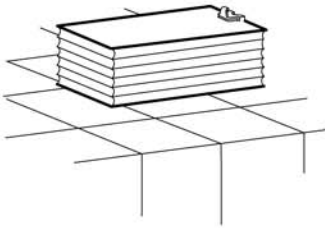


← X + 20mm →

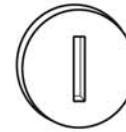


5

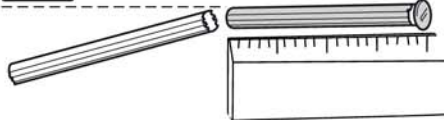
TOP



x2



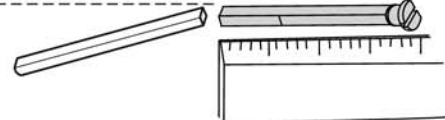
← X + 10mm →



x2



← X + 75mm →



6

