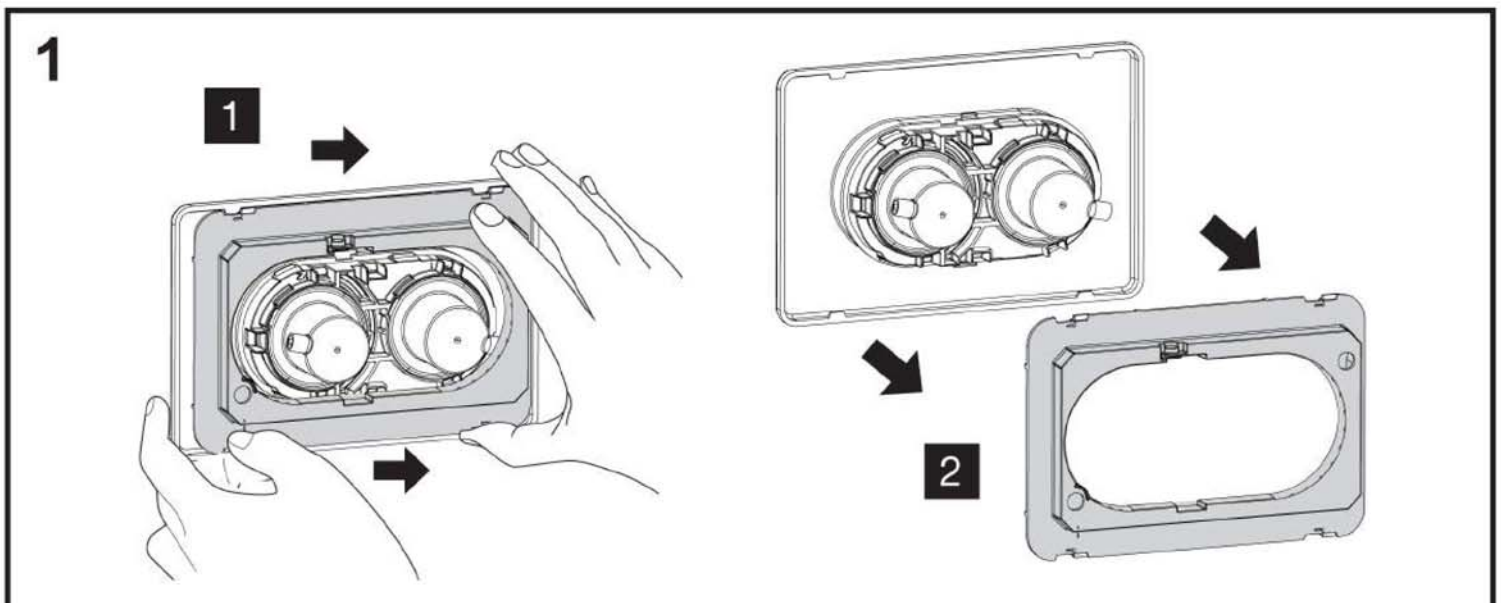
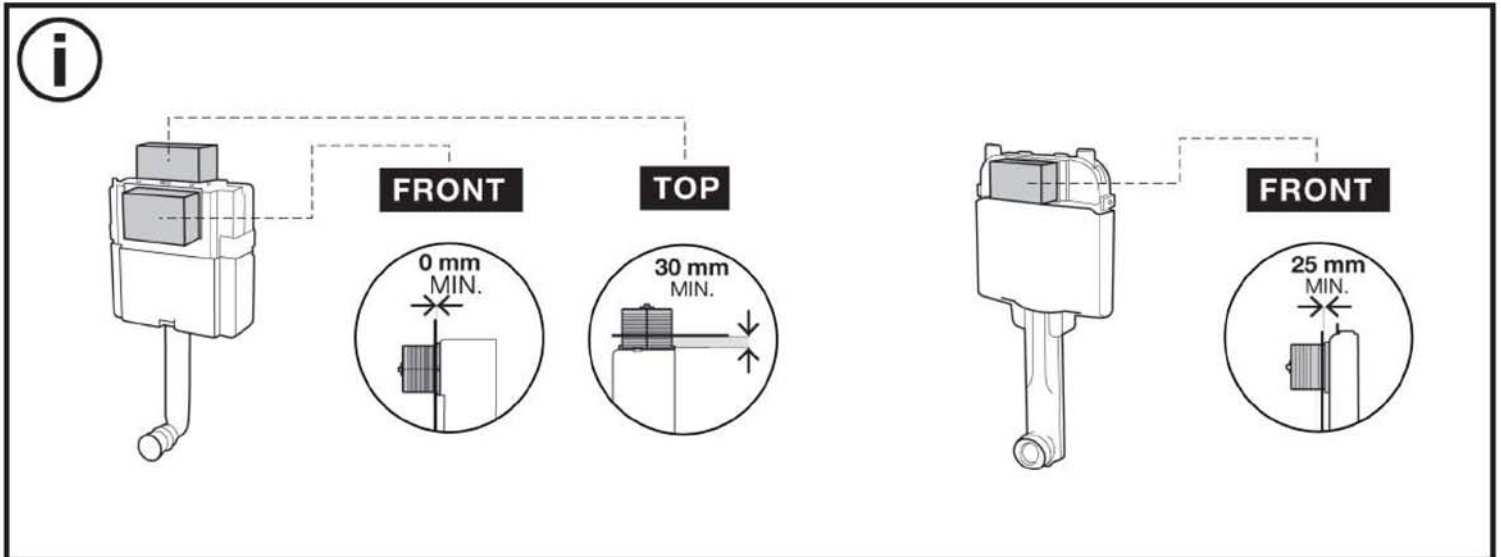
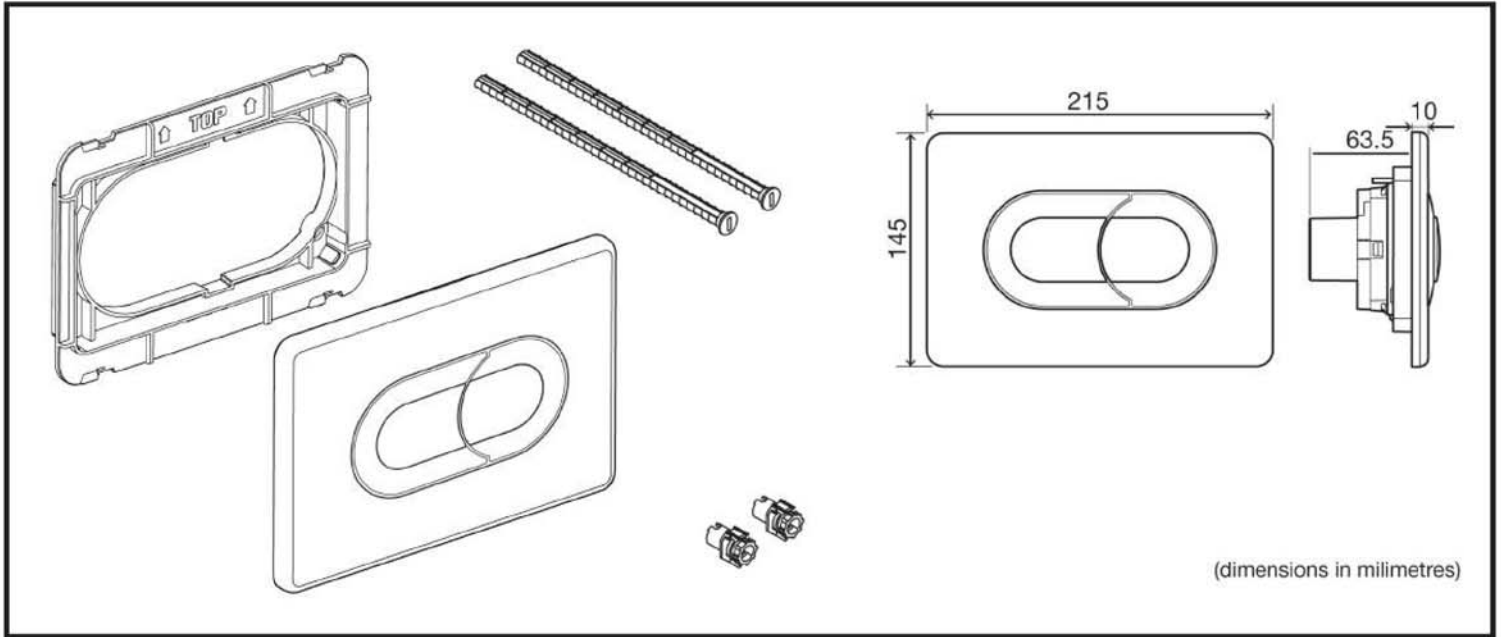


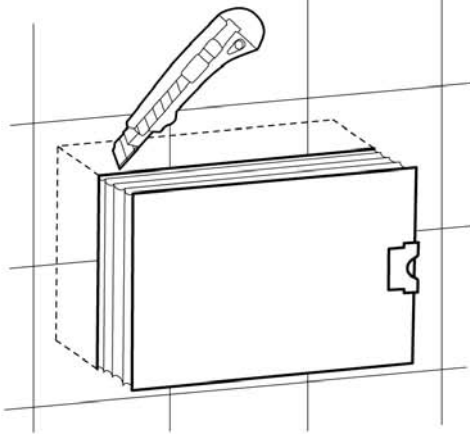
CANDY ONE

PNEUMATIC

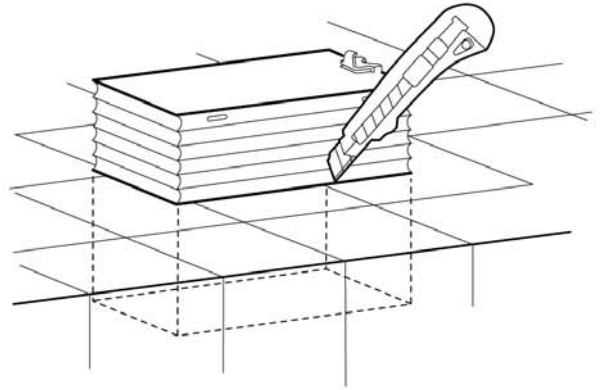


2

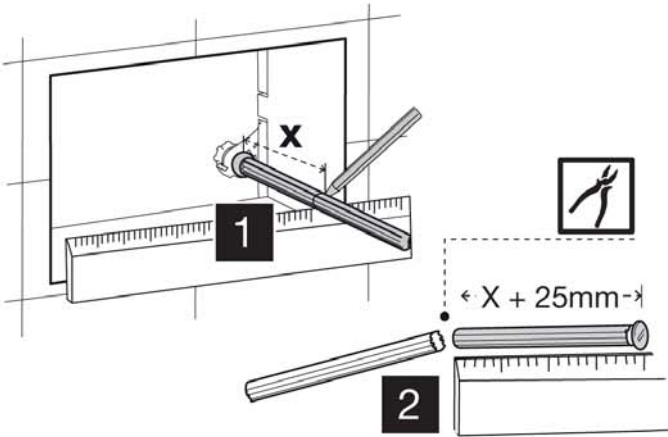
FRONT



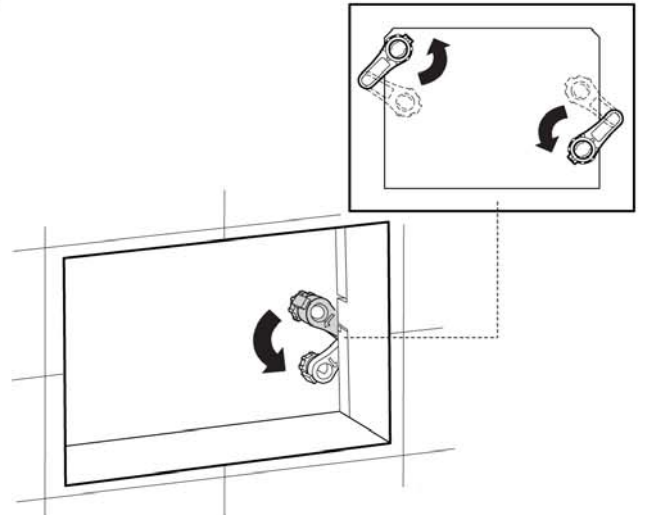
TOP



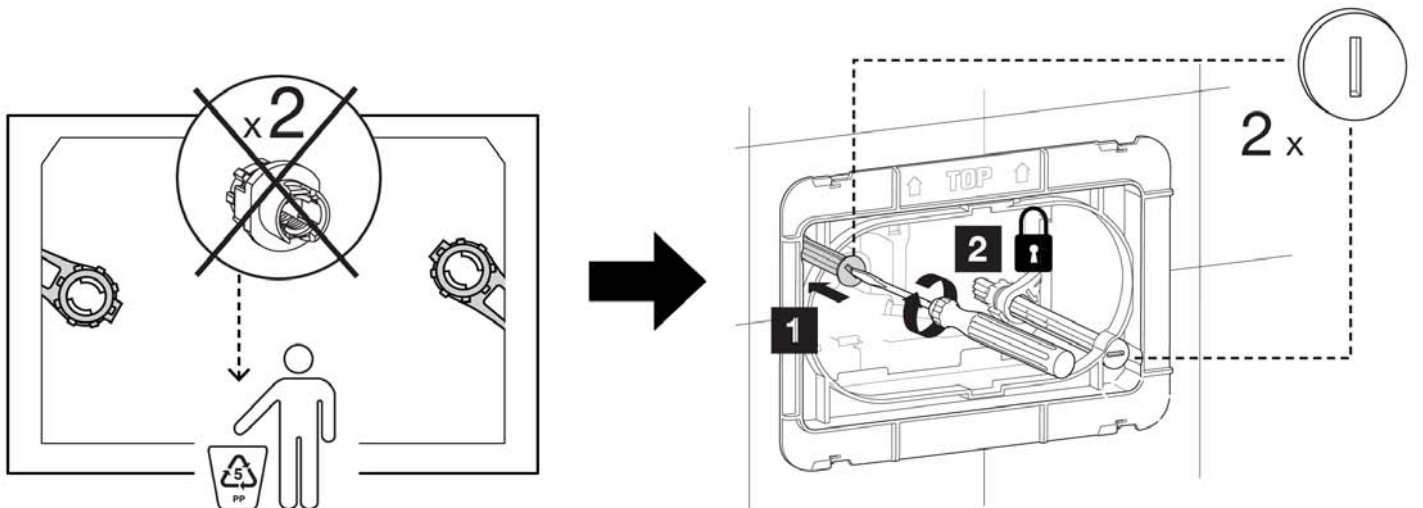
3



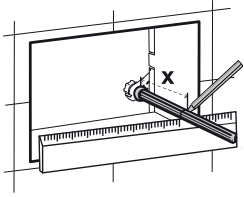
4



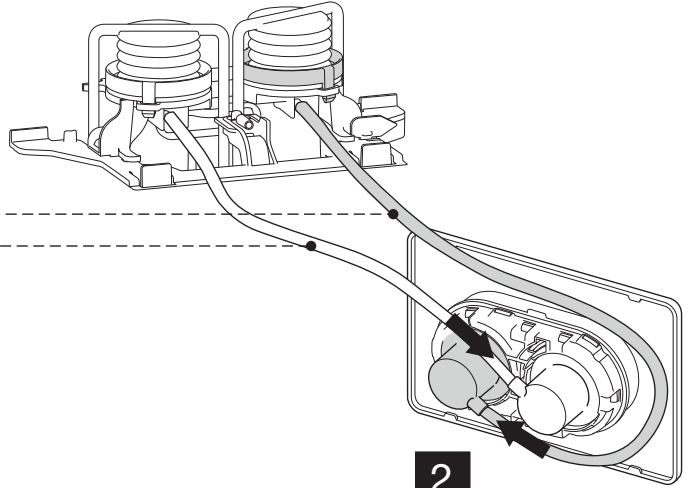
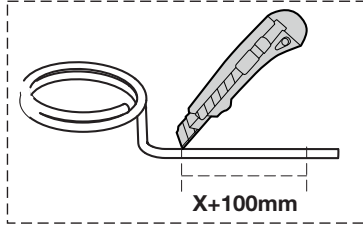
5



6

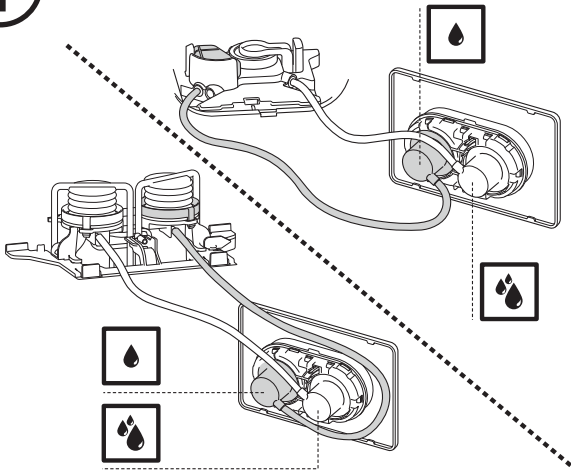


1

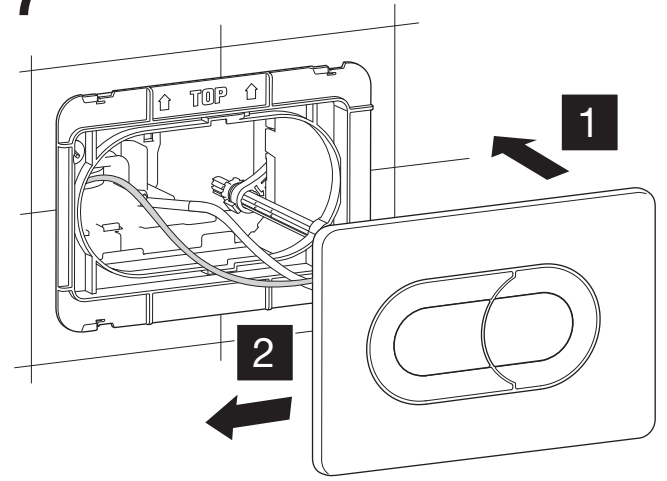


2

i



7



i

