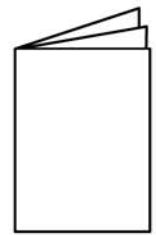
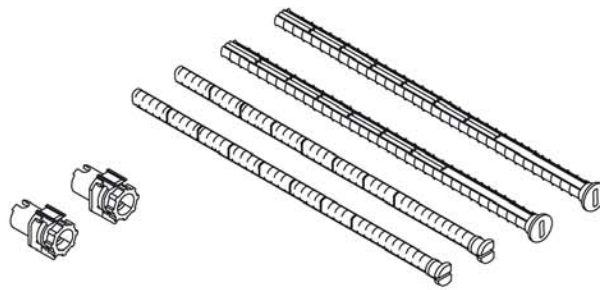
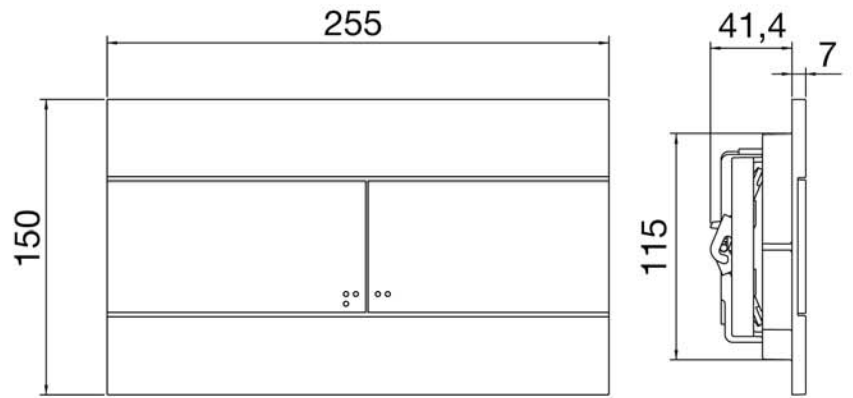
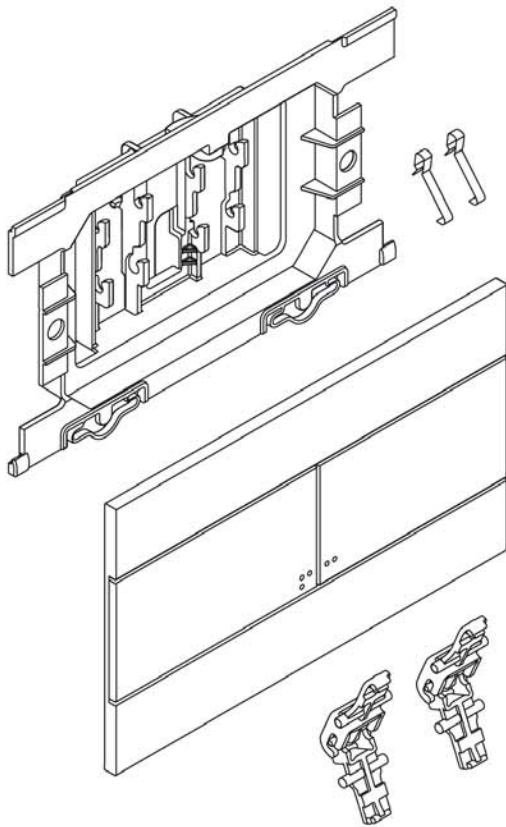
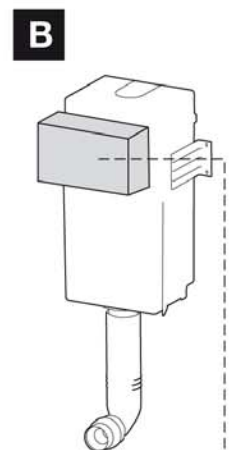
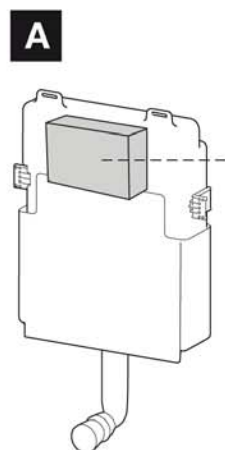
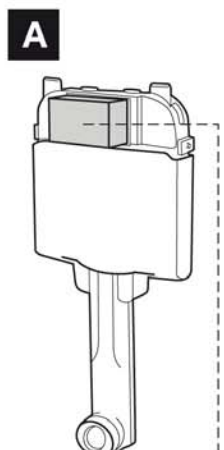
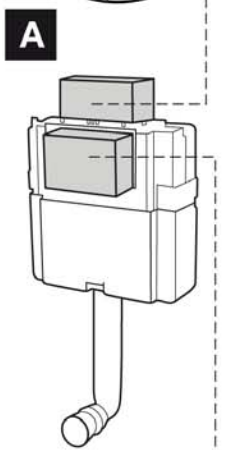
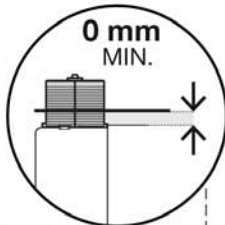


# MONET

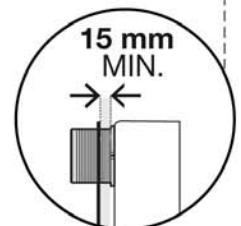
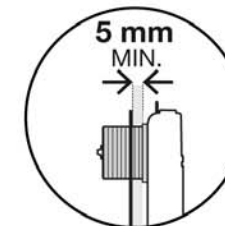
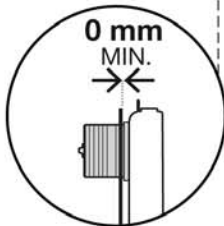
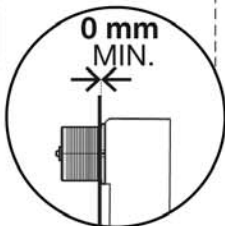
## MECHANIC

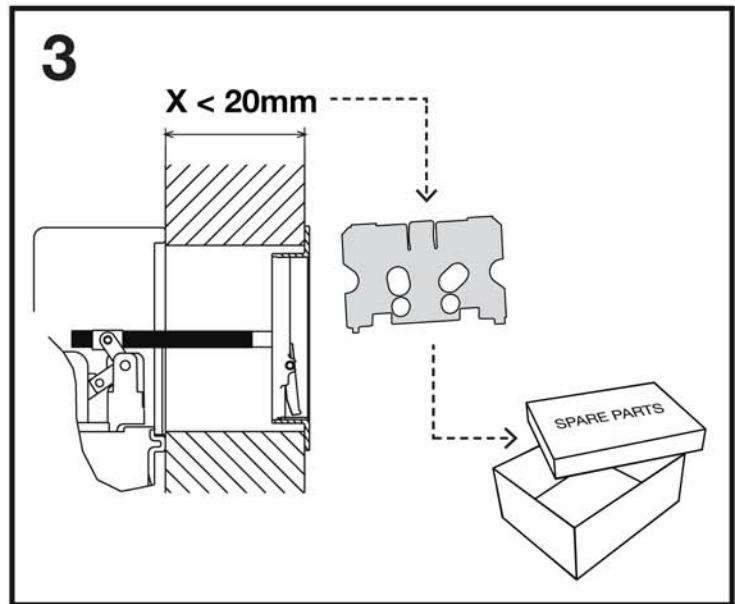
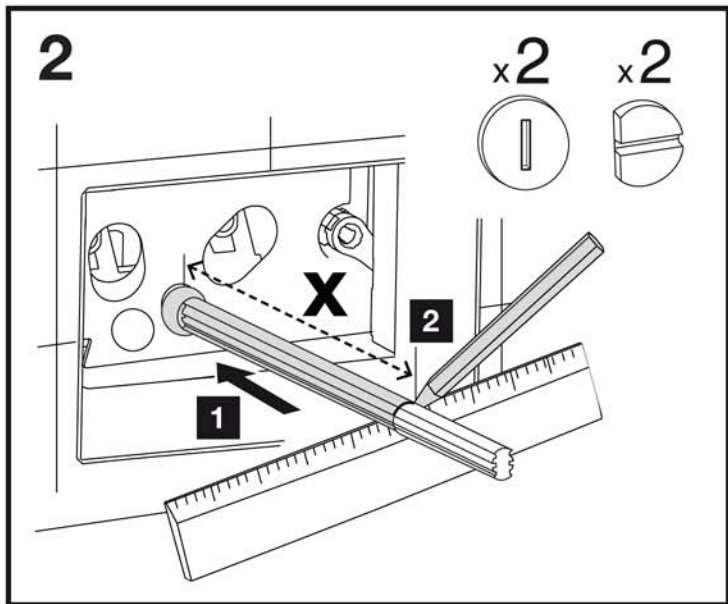
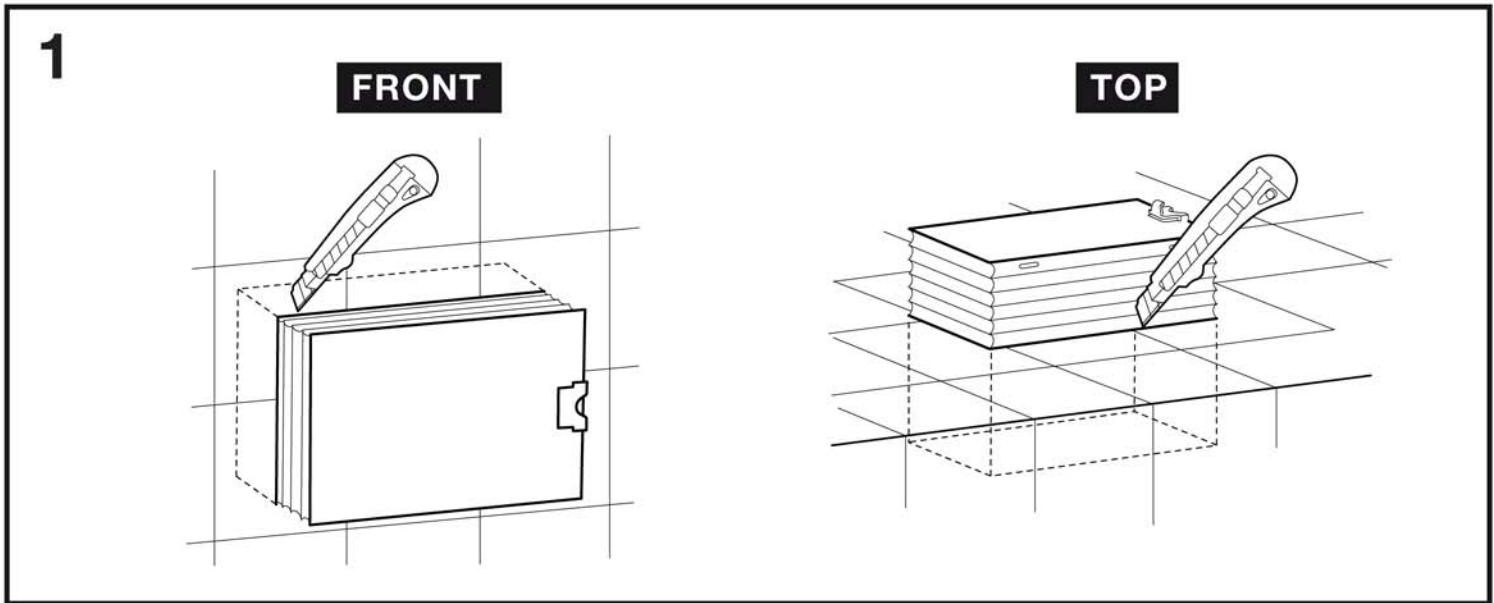
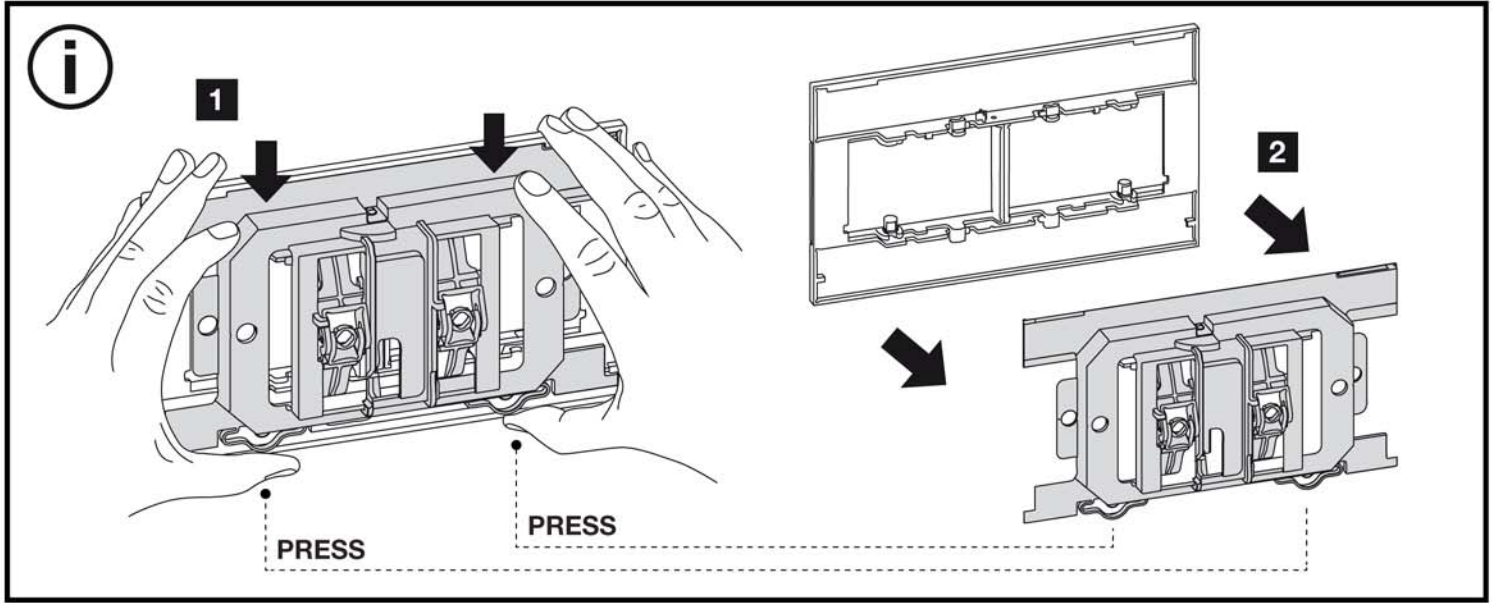


### TOP



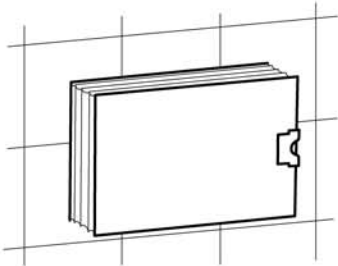
### FRONT



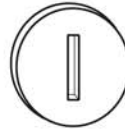


4

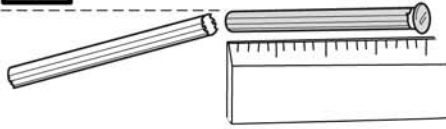
FRONT



x2



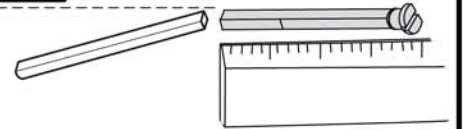
← X + 10mm →



x2

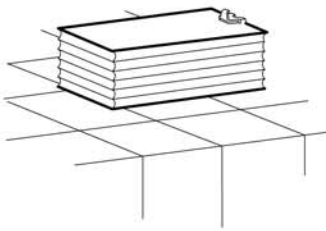


← X + 20mm →

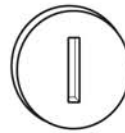


5

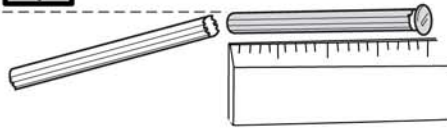
TOP



x2



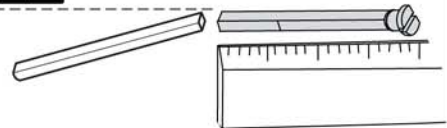
← X + 10mm →



x2



← X + 75mm →



6

